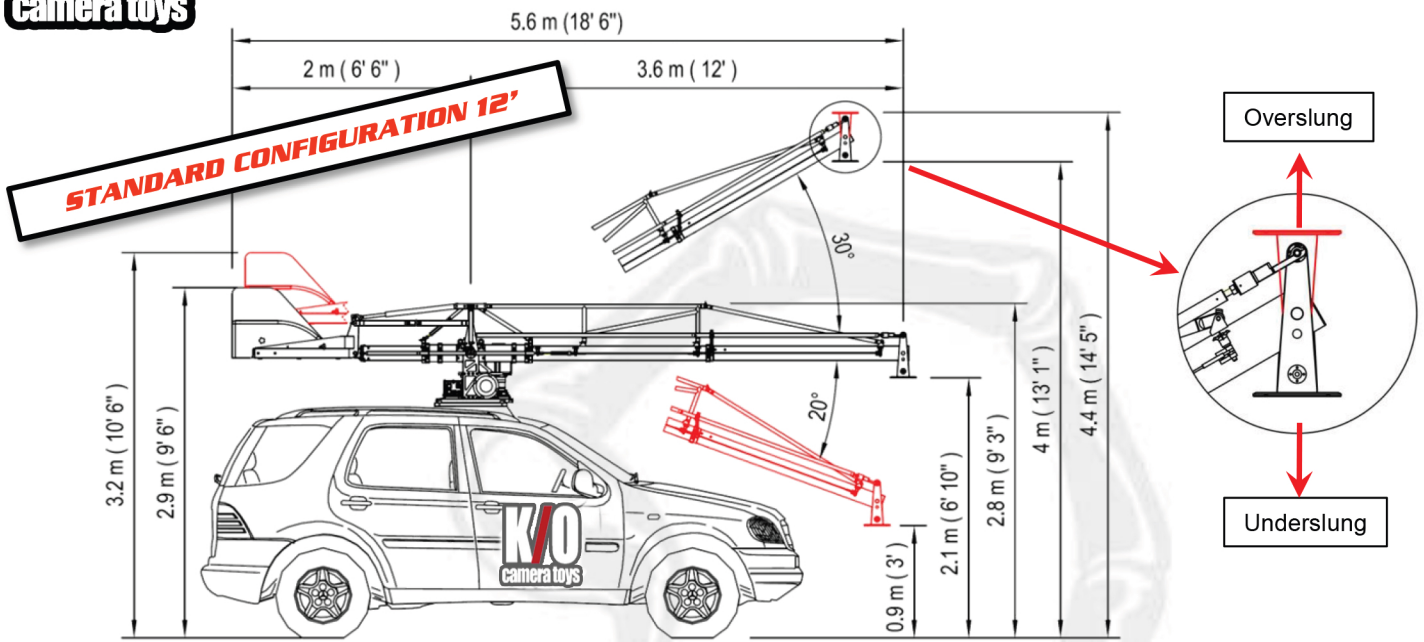


Scorpio Arm

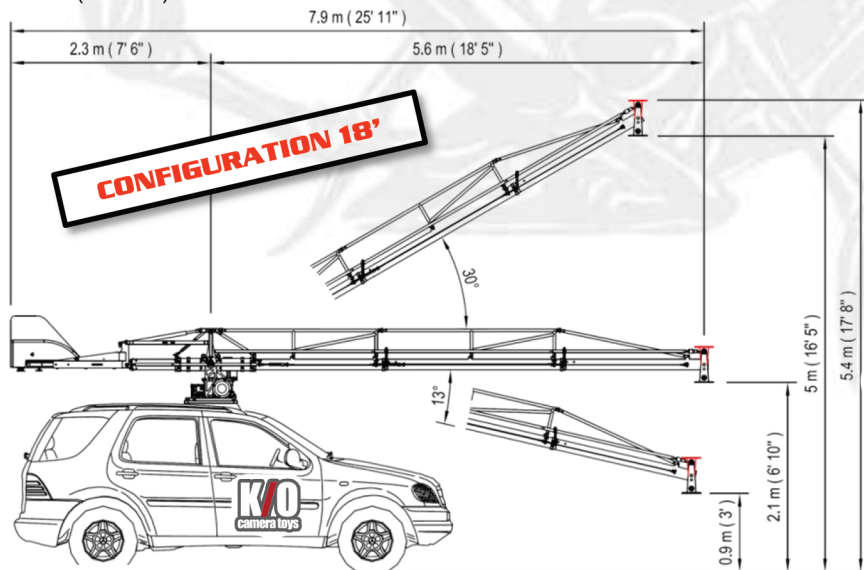
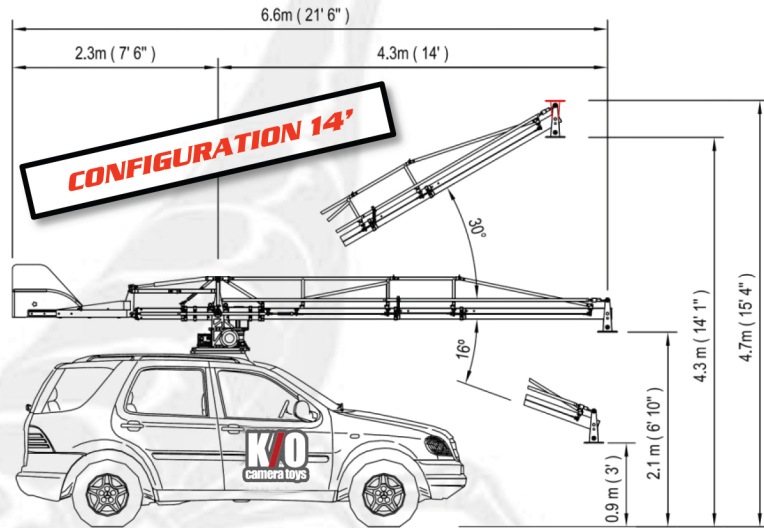


KOCameratoys.com



Features:

- Gyro stabilization in the TILT axis.
- Available different arm configurations: 12', 14', 18'.
- Waterproof.
- Limits, speed and damping control are available from the control desk.
- Controlled from joystick situated inside the car.
- Send the position of each axis constantly like a Motion Capture.
- Record and repeat all movements of each axis like a Motion Control.
- Go to a fixed position with switch for safety purposes.
- PAN and TILT motors are the same.
- Powered by 36V batteries.
- PAN speed: 5.5 s/rev
- Maximum Payload: 70kg (154 lbs).
- Max. Weight with maximum payload and standard configuration (12'): 365kg (805 lbs).
- Total weight without payload and counterweight (12'): 175kg (385 lbs)



**Contact K/O
Camera Toys at:**

- (661) 373-4747 (Cell)**
- (661) 263-6894 (Office)**
- (661) 263-8163 (Fax)**
- (818) 774-3889 (Service)**